

WISI LX 33 x xxxx

Optical High-Power-Amplifier



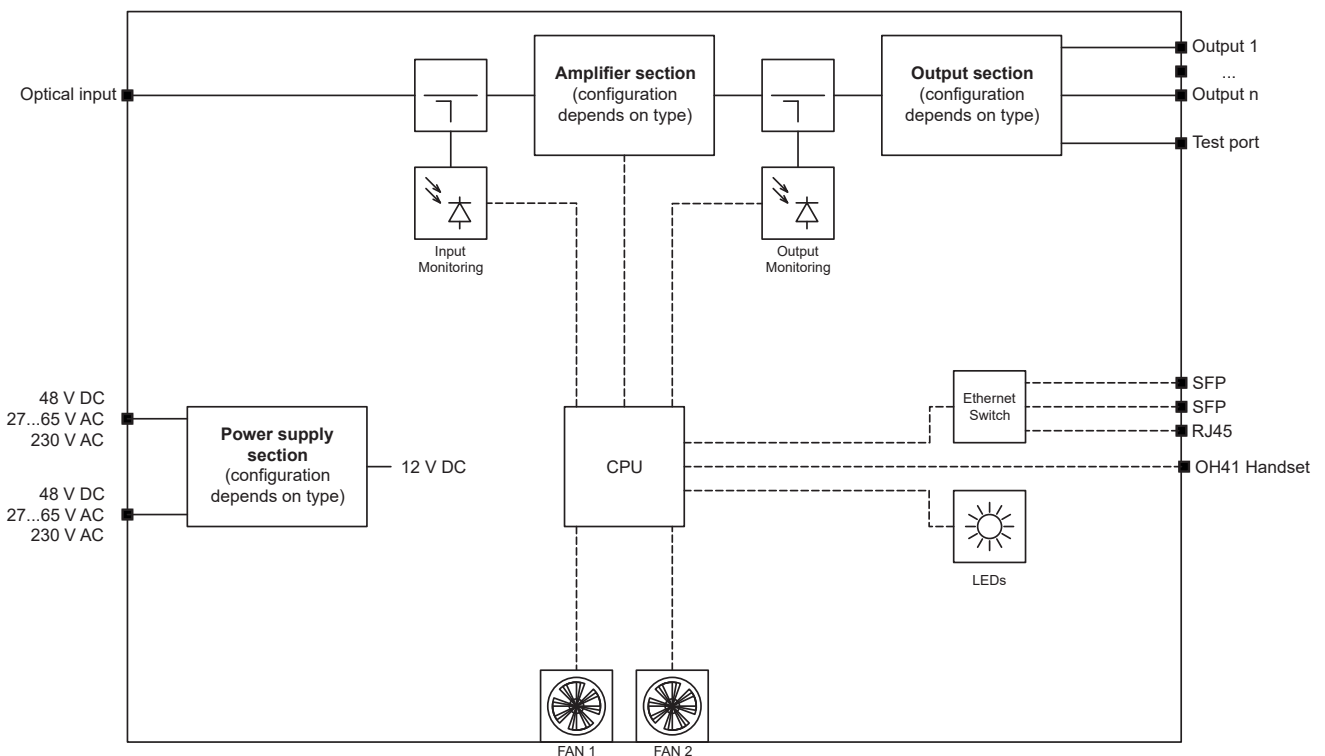
-Image similar-

At a glance:

- APC (power) + AGC (gain) regulation
- 19" rack based for stand-alone operation or integration in a WISI Optopus system
- Ultra compact street cabinet size (shallow depth)
- Extensive management via SNMP and HTTP
- Two SFP interfaces for inline management (same fiber)
- Redundant fans
- Redundant and pluggable power unit

Description

Optical High-Power-Amplifier for use in HFC and FTTx networks. Available with an different number of outputs, different output power and different types of connectors.



Technical data	
Wavelength	1555 nm (± 10 nm)
Optical input power range EDFA	-2...+10 dBm (max. 2x21 dBm)
Optical input power range EYDFA	-5...+10 dBm
Noise figure	$\leq 5,5$ dB ($\lambda = 1555$ nm; Pin = +2 dBm)
Optical return loss	≥ 50 dB
Output power tolerance	$\pm 0,2$ dB (Average of all output ports, Without optical connectors)
Uniformity	$\leq 1,0$ dB (In APC mode; With no influence on noise specification)
Gain flatness	$\leq 1,5$ dB (Pin = +5 dBm; $\lambda = 1547...1553$ nm, At nominal APC output power)
Output power attenuation range	-3 dB (In APC mode; With no influence on noise specification)
Optical test port	Output power -20 dB (± 1 dB)
Outputs	
Output power 14 dBm	1 / 2 / 4 / 8 / 16 / 32 pcs. (32 pcs. LC only)
Output power 17 dBm	1 / 2 / 4 / 8 / 16 / 32 pcs. (32 pcs. LC only)
Output power 21 dBm	1 / 2 / 4 / 8 / 16 pcs.
Local control	1x RJ11 (WISI OH41-Handset)
Optical connectors	SC/APC, LC/APC
Communication interface	
Management	1x RJ45 / 2x SFP
General data	
Dimensions (width x height x depth)	425 x 43 x 250 mm (19", 1RU)
Supply voltage	48 V DC / 27...65 V AC / 230V AC
Power consumption max.	40 W (Depending on output configura- tion; At the end of lifetime at maximum operating temperature)
Laser Class	1M (EN 60825-2)
Ambient temperature	-20...+55 °C

LX 33 X XXXX

Mechanical Configuration:	A - single built-in PS, 110-230 VAC, fans fixed D - single built-in PS, 48 VDC/65 VAC, fans fixed U - pluggable LX PU, fans pluggable L - pluggable LX PS, fans pluggable
Optical Configuration:	S - Standard
Output Ports:	1 - 1 port 2 - 2 ports 4 - 4 ports 8 - 8 ports H - 16 ports
Output Power:	4 - 14 dBm 7 - 17 dBm 1 - 21 dBm
Connector Type:	S - Input, Monitor, Output - SC/APC L - Input, Monitor, Output LC/APC