

WISI LX 32 L xxxx

Optical Amplifier

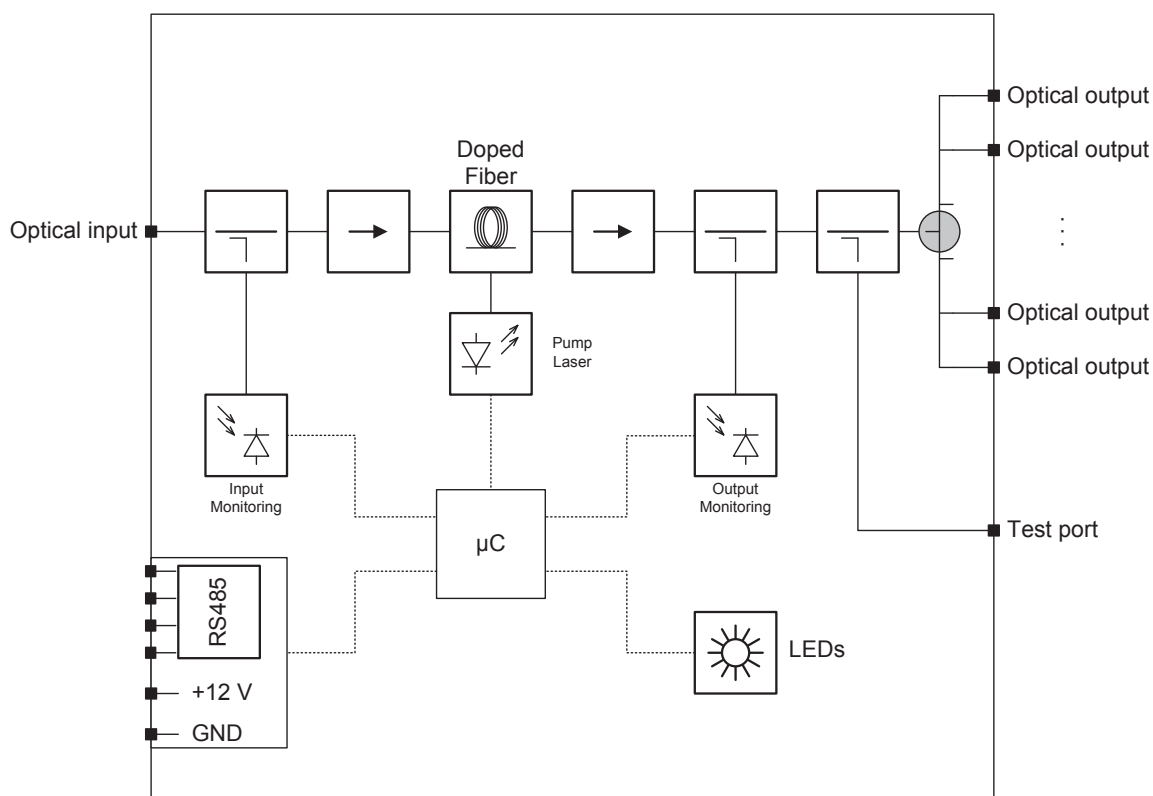


At a glance:

- APC and AGC regulation
- Integration in WISI Optopus system LX50
- Extensive management via SNMP and HTTP
- Closed module housing without fans
- Optical test port for the output signal on the front
- Low power consumption

Description

Optical Booster Amplifier for use in HFC and FTTH networks. Available with a different number of outputs, different output power and different types of connectors.



WISI Communications GmbH & Co. KG

Wilhelm-Sihn-Str. 5-7
75223 Niefern-Oeschelbronn, Germany

Phone: +49 7233 66-280, Fax: -350
E-Mail: export@wisi.de

Technical Modifications reserved. WISI cannot be held liable for any printing error. 23. März 2020, 2:55 PM

Technical data	
Wavelength	1555 nm (± 10 nm)
Optical input power	+5...+10 dBm
noise figure	$\leq 6,5$ dB ($\lambda = 1555$ nm; Pin = +6 dBm)
Optical return loss	≥ 45 dB
Output power tolerance	$\pm 0,5$ dB (Average of all output ports)
Uniformity	$\leq 1,0$ dB (In APC mode; With no influence on noise specification)
Gain flatness	$\leq 1,5$ dB (Pin = +5 dBm; $\lambda = 1547...1553$ nm, At nominal APC output power)
Output power attenuation range	3 dB (In APC mode; With no influence on noise specification)
Optical test port	Nominal output power -20 dB (± 1 dB)

Outputs

Output power 14 dBm	16 pcs.
Output power 17 dBm	8 / 16 pcs.
Output power 20 dBm	8 pcs.
Output power 21 dBm	4 / 8 pcs.

Connector type Optical RF

Connectors Input / Test port	SC/APC
Connectors output	LC/APC

General data

Laser Class	1M (EN 60825-2)
Power consumption max.	25 W (Depending on output configuration; At the end of lifetime at maximum operating temperature)
Supply voltage	12 V DC
Ambient temperature	-5...+45 °C (EN 300019-1-3 Class 3.2)
Dimensions (width x height x depth)	30 x 133 x 320 mm (Optopus module)

LX 32 X XXXX

