



Televes reserves the right to modify the product

EuroSwitch/NevoSwitch Quattro amplifier 10/11 dB, 5 inputs (1 satellite)

Amplifier equipped with 5 inputs (one terrestrial and the four Quattro polarities of one satellite) compatible with EuroSwitch and NevoSwitch ranges, that allows increasing the number of users in the installation while optimizing the signal received by each of them. Amplification around 10 dB for terrestrial, and 11 dB for satellite.

Ref.714508

Art.Nr	MS510VGQ
EAN13	8424450181614

Highlights

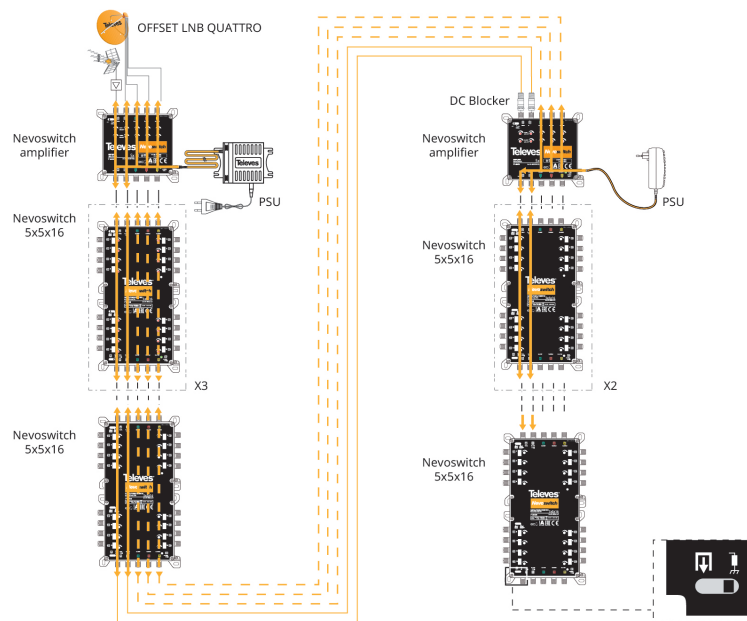
- High output level
- Switch for the selection of whether or not to power the terrestrial pre-amplifiers (VDC or OFF)
- Gain (20 dB) and slope (12 dB) individual adjustment
- Power feeding through the VL input/output

Main features

- Very compact
- Made of zamak
- Input and output colour identification
- 12 V power supply
- Low power consumption

Application example

(Click to see the picture)



Technical specifications

Number of inputs		5			
Number of outputs		5			
Bands			TERR	SAT	
Frequency range	MHz		47 ... 862	950 ... 2400	
Output level	dB μ V		114	118	
Gain	dB		10	11	
Gain adjustment range	dB	0 ... 15			
Slope regulation	dB	0 ... 12			
Isolation	dB	> 25			
Powering	Vdc	12 ... 18			
Max current consumption (@12V)	mA	300			
Max current consumption (@18V)	mA	200			
Max. power consumption	W	3.6			
Operating temperature	°C	-5 ... 45			
Protection index (IP)		20			