



**4K UHD**  
HDCP 2.2



## AVX-101F-KIT

UHD+ HDMI over Fiber Transmitter & Receiver

**OPERATION MANUAL**



**HDMI®**

HIGH-DEFINITION MULTIMEDIA INTERFACE

The terms HDMI, HDMI High-Definition Multimedia Interface, and the HDMI Logo are trademarks or registered trademarks of HDMI licensing Administrator, Inc.

## **DISCLAIMERS**

The information in this manual has been carefully checked and is believed to be accurate. CYP (UK) Ltd assumes no responsibility for any infringements of patents or other rights of third parties which may result from its use.

CYP (UK) Ltd assumes no responsibility for any inaccuracies that may be contained in this document. CYP (UK) Ltd also makes no commitment to update or to keep current the information contained in this document.

CYP (UK) Ltd reserves the right to make improvements to this document and/or product at any time and without notice.

## **COPYRIGHT NOTICE**

No part of this document may be reproduced, transmitted, transcribed, stored in a retrieval system, or any of its part translated into any language or computer file, in any form or by any means—electronic, mechanical, magnetic, optical, chemical, manual, or otherwise—without express written permission and consent from CYP (UK) Ltd.

© Copyright 2021 by CYP (UK) Ltd.

All Rights Reserved.

Version 1.1

## **TRADEMARK ACKNOWLEDGMENTS**

All products or service names mentioned in this document may be trademarks of the companies with which they are associated.

---



## SAFETY PRECAUTIONS

Please read all instructions before attempting to unpack, install or operate this equipment and before connecting the power supply. Please keep the following in mind as you unpack and install this equipment:

- Always follow basic safety precautions to reduce the risk of fire, electrical shock and injury to persons.
- To prevent fire or shock hazard, do not expose the unit to rain, moisture or install this product near water.
- Never spill liquid of any kind on or into this product.
- Never push an object of any kind into this product through any openings or empty slots in the unit, as you may damage parts inside the unit.
- Do not attach the power supply cabling to building surfaces.
- Use only the supplied power supply unit (PSU). Do not use the PSU if it is damaged.
- Do not allow anything to rest on the power cabling or allow any weight to be placed upon it or any person walk on it.
- To protect the unit from overheating, do not block any vents or openings in the unit housing that provide ventilation and allow for sufficient space for air to circulate around the unit.
- Please completely disconnect the power when the unit is not in use to avoid wasting electricity.

## VERSION HISTORY

REV.	DATE	SUMMARY OF CHANGE
<b>RDV1</b>	2021/07/09	Preliminary release

# CONTENTS

<b>1. Introduction .....</b>	<b>1</b>
<b>2. Applications .....</b>	<b>1</b>
<b>3. Package Contents .....</b>	<b>1</b>
<b>4. System Requirements .....</b>	<b>1</b>
<b>5. Features .....</b>	<b>2</b>
<b>6. Operation Controls and Functions .....</b>	<b>3</b>
6.1 Transmitter Front Panel .....	3
6.2 Transmitter Rear Panel .....	4
6.3 Receiver Front Panel .....	4
6.4 Receiver Rear Panel .....	5
<b>7. Connection Diagram .....</b>	<b>6</b>
<b>8. Specifications .....</b>	<b>7</b>
8.1 Technical Specifications .....	7
8.2 Video Specifications .....	8
8.3 Audio Specifications .....	9
8.3.1 Digital Audio .....	9
8.4 Cable Specifications .....	10
<b>9. Acronyms .....</b>	<b>11</b>

---



## 1. INTRODUCTION

This 4K UHD<sup>+</sup> HDMI over Fiber Transmitter and Receiver Set is designed for high-quality AV extension with minimum latency. By using a sophisticated ultra-light compression scheme (lossless for most content) it's a great solution for extending 4K@60Hz (4:4:4) HDMI audio/video streams. Advanced HDMI content such as HDR (High Dynamic Range), 10-bit colour and multi-channel HD Bitstream audio can be easily transmitted. The use of interchangeable, field replaceable, SFP+ modules allows for transmission distances of up to 30km (Maximum transmission distance depends on the SFP+ modules used). Additionally, this extender set's compact form factor makes it ideal for installation in tight spaces, or inclusion in A/V travel kits.

## 2. APPLICATIONS

- /// A/V extension without RF interference
- /// Long distance data and video transmission
- /// Household entertainment
- /// Lecture halls, meeting rooms, and classrooms
- /// Point-to-Point Secure Video Conferencing

## 3. PACKAGE CONTENTS

- /// 1× UHD<sup>+</sup> HDMI over Fiber Transmitter
- /// 1× UHD<sup>+</sup> HDMI over Fiber Receiver
- /// 2× 5V/2.6A DC Power Adapter
- /// 1× Operation Manual

## 4. SYSTEM REQUIREMENTS

- /// HDMI receiving equipment such as an HDTV, monitor, or audio amplifier
- /// IEEE 802.3ae compatible SFP+ fiber module supporting a dual-optical fiber connection style, such as LC, or a pre-terminated crossover dual-optical fiber cable

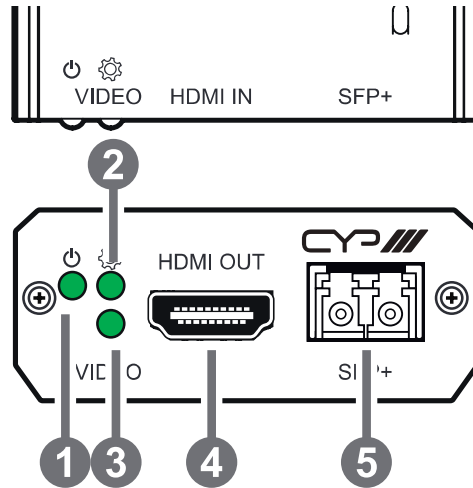
*Note: Single-mode and multi-mode support is dependent on the SFP+ modules used.*

## 5. FEATURES

- /// HDMI 2.0 and DVI 1.0 compatible
- /// HDCP 2.2 and HDCP 1.x compliant
- /// 1 HDMI input (TX), 1 HDMI Output (RX)
- /// 1 fiber (SFP+) Connection
- /// Ultra-light compression, lossless for most content
- /// Extension up to 30km (maximum distance depends on the SFP+ module and type of fiber used)
- /// Supports up to 4K UHD<sup>+</sup> (18Gbps, 4K@50/60Hz 4:4:4, 8-bit) video input and output
- /// Supports pass-through of 10/12-bit HDR sources
- /// Supports pass-through of audio formats including LPCM (up to 8 channels), Bitstream and HD Bitstream
- /// Simple, hassle free, point-to-point connection

## 6. OPERATION CONTROLS AND FUNCTIONS

### 6.1 Transmitter Front Panel



- 1 **Power (⏻) LED:** This LED will illuminate to indicate the unit is on and receiving power.

*Note: This LED will blink during the firmware update process.*

- 2 **System (⚙️) LED:** This LED will illuminate to indicate that the system is stable and ready to process audio/video streams.

*Note: This LED will blink during the firmware update process.*

- 3 **VIDEO LED:** This LED will illuminate to indicate that the video source is stable, and streaming is in process.

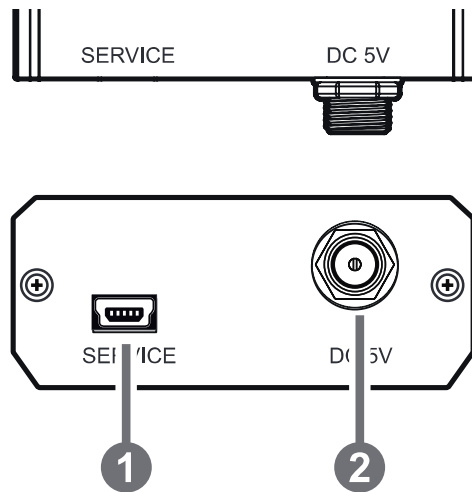
- 4 **HDMI OUT Port:** Connect to an HDMI TV, monitor, or amplifier for digital video and audio output.

- 5 **SFP+ Port:** Insert a standard SFP+ module, and connect the appropriate optical cable to allow data reception from a compatible transmitter.

*Note: The SFP+ module must support a dual-optical fiber connection style, such as LC, or be pre-terminated dual-optical fiber cables. Single-mode and multi-mode support is dependent on the SFP+ modules used.*

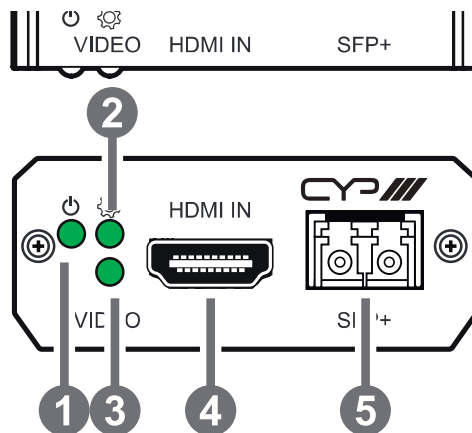


## 6.2 Transmitter Rear Panel



- ❶ **SERVICE (USB Mini-B) Port:** This port is for firmware update only.
- ❷ **DC 5V Port:** Plug the 5V DC power adapter into this port and connect it to an AC wall outlet for power.

## 6.3 Receiver Front Panel

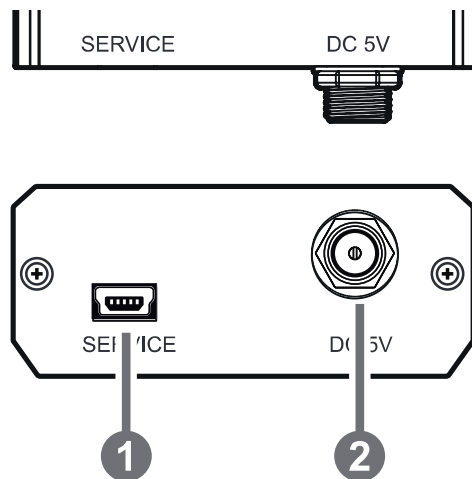


- ❶ **Power (⏻) LED:** This LED will illuminate to indicate the unit is on and receiving power.  
*Note: This LED will blink during the firmware update process.*
- ❷ **System (⚙️) LED:** This LED will illuminate to indicate that the system is stable and ready to process audio/video streams.  
*Note: This LED will blink during the firmware update process.*

- ③ **VIDEO LED:** This LED will illuminate to indicate that the video source is stable, and streaming is in process.
- ④ **HDMI IN Port:** Connect to HDMI source equipment such as a media player, game console, or set-top box.
- ⑤ **SFP+ Port:** Insert a standard SFP+ module, and connect the appropriate optical cable to allow data transmission to a compatible receiver.

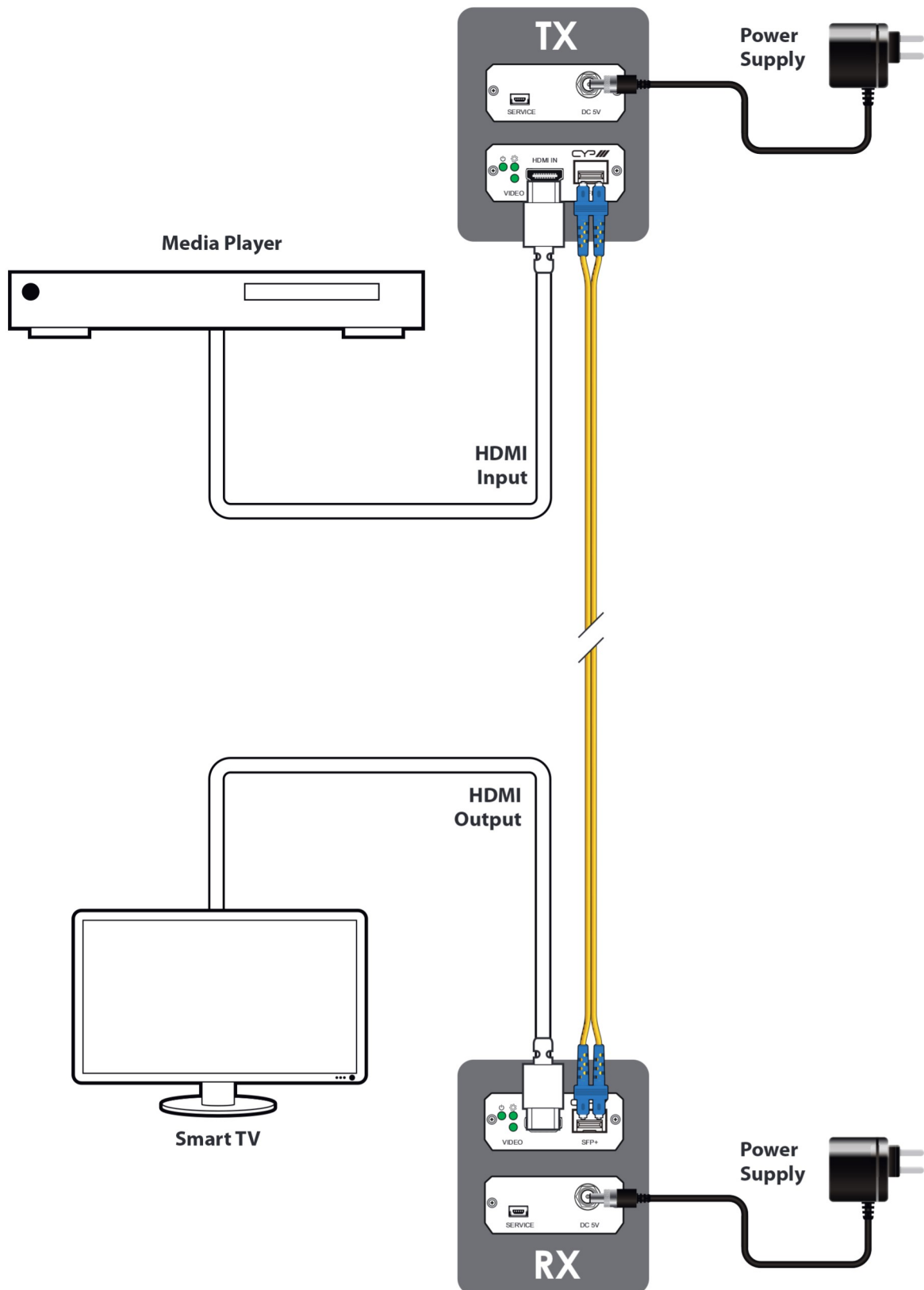
*Note: The SFP+ module must support a dual-optical fiber connection style, such as LC, or be pre-terminated dual-optical fiber cables. Single-mode and multi-mode support is dependent on the SFP+ modules used.*

## 6.4 Receiver Rear Panel



- ① **SERVICE (USB Mini-B) Port:** This port is for firmware update only.
- ② **DC 5V Port:** Plug the 5V DC power adapter into this port and connect it to an AC wall outlet for power.

## 7. CONNECTION DIAGRAM



## 8. SPECIFICATIONS

### 8.1 Technical Specifications

<b>HDMI Bandwidth</b>	18Gbps
<b>Fiber Bandwidth</b>	10Gbps
<b>Input Ports</b>	<b>(RX)</b> 1×10GbE (SFP+) <b>(TX)</b> 1×HDMI (Type-A)
<b>Output Ports</b>	<b>(TX)</b> 1×10GbE (SFP+) <b>(RX)</b> 1×HDMI (Type-A)
<b>SFP+ Module</b>	<b>(TX)</b> 1×Single/Multi-mode (LC) <b>(RX)</b> 1×Single/Multi-mode (LC)
<b>Service Port</b>	1×USB 2.0 (Mini-B)
<b>Power Supply</b>	5V/2.6A DC (US/EU standards, CE/FCC/UL certified)
<b>ESD Protection (HBM)</b>	±8kV (Air Discharge) ±4kV (Contact Discharge)
<b>Dimensions (W×H×D)</b>	<b>TX</b> 57mm×20.6mm×87mm [Case Only] 60mm×20.6mm×87mm [All Inclusive] <b>RX</b> 57mm×20.6mm×87mm [Case Only] 60mm×20.6mm×87mm [All Inclusive]
<b>Weight</b>	139g (Each Unit)
<b>Chassis Material</b>	Metal (Steel)
<b>Chassis Colour</b>	Black
<b>Operating Temperature</b>	0°C – 50°C/32°F – 122°F
<b>Storage Temperature</b>	-20°C – 60°C/-4°F – 140°F
<b>Relative Humidity</b>	20 – 90% RH (Non-condensing)
<b>Power Consumption</b>	4.62W

## 8.2 Video Specifications

Supported Resolutions (Hz)	Input	Output
	10GbE	HDMI
<b>720×400p@70/85</b>	✓	✓
<b>640×480p@60/72/75/85</b>	✓	✓
<b>720×480i@60</b>	✓	✓
<b>720×480p@60</b>	✓	✓
<b>720×576i@50</b>	✓	✓
<b>720×576p@50</b>	✓	✓
<b>800×600p@56/60/72/75/85</b>	✓	✓
<b>848×480p@60</b>	✓	✓
<b>1024×768p@60/70/75/85</b>	✓	✓
<b>1152×864p@75</b>	✓	✓
<b>1280×720p@50/60</b>	✓	✓
<b>1280×768p@60/75/85</b>	✓	✓
<b>1280×800p@60/75/85</b>	✓	✓
<b>1280×960p@60/85</b>	✓	✓
<b>1280×1024p@60/75/85</b>	✓	✓
<b>1360×768p@60</b>	✓	✓
<b>1366×768p@60</b>	✓	✓
<b>1400×1050p@60</b>	✓	✓
<b>1440×900p@60/75</b>	✓	✓
<b>1600×900p@60RB</b>	✓	✓
<b>1600×1200p@60</b>	✓	✓
<b>1680×1050p@60</b>	✓	✓
<b>1920×1080i@50/60</b>	✓	✓
<b>1920×1080p@24/25/30</b>	✓	✓
<b>1920×1080p@50/60</b>	✓	✓

Supported Resolutions (Hz)	Input	Output
	10GbE	HDMI
1920×1200p@60RB	✓	✓
2560×1440p@60RB	✓	✓
2560×1600p@60RB	✓	✓
2048×1080p@24/25/30	✓	✓
2048×1080p@50/60	✓	✓
3840×2160p@24/25/30	✓	✓
3840×2160p@50/60 (4:2:0)	✓	✓
3840×2160p@24, HDR10	✓	✓
3840×2160p@50/60 (4:2:0), HDR10	✓	✓
3840×2160p@50/60	✓	✓
4096×2160p@24/25/30	✓	✓
4096×2160p@50/60 (4:2:0)	✓	✓
4096×2160p@24, HDR10	✓	✓
4096×2160p@50/60 (4:2:0), HDR10	✓	✓
4096×2160p@50/60	✓	✓

## 8.3 Audio Specifications

### 8.3.1 Digital Audio

10GbE Input / HDMI Output	
LPCM	
Max Channels	8 Channels
Sampling Rate (kHz)	32, 44.1, 48
Bitstream	
Supported Formats	Standard & High-Definition

## 8.4 Cable Specifications

Cable Length	1080p		4K30	4K60
	8-bit	12-bit	(4:4:4) 8-bit	(4:4:4) 8-bit
<b>High Speed HDMI Cable</b>				
<b>HDMI Output</b>	15m	10m	5m	3m
<b>Fiber Cable</b>				
<b>Multi-mode Fiber (OM3)</b>	300m			
<b>Multi-mode Fiber (OM4)</b>	550m			
<b>Single-mode Fiber</b>	30km			

### Bandwidth Category Examples:

#### /// 1080p (FHD Video)

- Up to 1080p@60Hz, 12-bit colour
- Data rates lower than 5.3Gbps or below 225MHz TMDS clock

#### /// 4K30 (4K UHD Video)

- 4K@24/25/30Hz & 4K@50/60Hz (4:2:0), 8-bit colour
- Data rates higher than 5.3Gbps or above 225MHz TMDS clock but below 10.2Gbps

#### /// 4K60 (4K UHD<sup>+</sup> Video)

- 4K@50/60Hz (4:4:4, 8-bit)
- 4K@50/60Hz (4:2:0, 10-bit HDR)
- Data rates higher than 10.2Gbps

## 9. ACRONYMS

ACRONYM	COMPLETE TERM
<b>10GbE</b>	10 Gigabit Ethernet
<b>4K UHD</b>	4K Ultra-High-Definition (10.2Gbps max)
<b>4K UHD<sup>+</sup></b>	4K Ultra-High-Definition (18Gbps max)
<b>AV</b>	Audio/Video
<b>AVoIP</b>	Audio/Video over IP
<b>Cat.5e</b>	Enhanced Category 5 cable
<b>Cat.6</b>	Category 6 cable
<b>Cat.6A</b>	Augmented Category 6 cable
<b>Cat.7</b>	Category 7 cable
<b>CEC</b>	Consumer Electronics Control
<b>DVI</b>	Digital Visual Interface
<b>EDID</b>	Extended Display Identification Data
<b>Gbps</b>	Gigabits per second
<b>HDCP</b>	High-bandwidth Digital Content Protection
<b>HDMI</b>	High-Definition Multimedia Interface
<b>HDR</b>	High Dynamic Range
<b>kHz</b>	Kilohertz
<b>LAN</b>	Local Area Network
<b>LED</b>	Light-Emitting Diode
<b>LPCM</b>	Linear Pulse-Code Modulation
<b>MHz</b>	Megahertz
<b>TMDS</b>	Transition-Minimised Differential Signaling
<b>USB</b>	Universal Serial Bus















---

CYP (UK) Ltd., Unit 7, Shepperton Business Park, Govett Avenue,  
Shepperton, Middlesex, TW17 8BA

Tel: +44 (0) 20 3137 9180 | Fax: +44 (0) 20 3137 6279

Email: [sales@cypeurope.com](mailto:sales@cypeurope.com)

[www.cypeurope.com](http://www.cypeurope.com)

RDV1