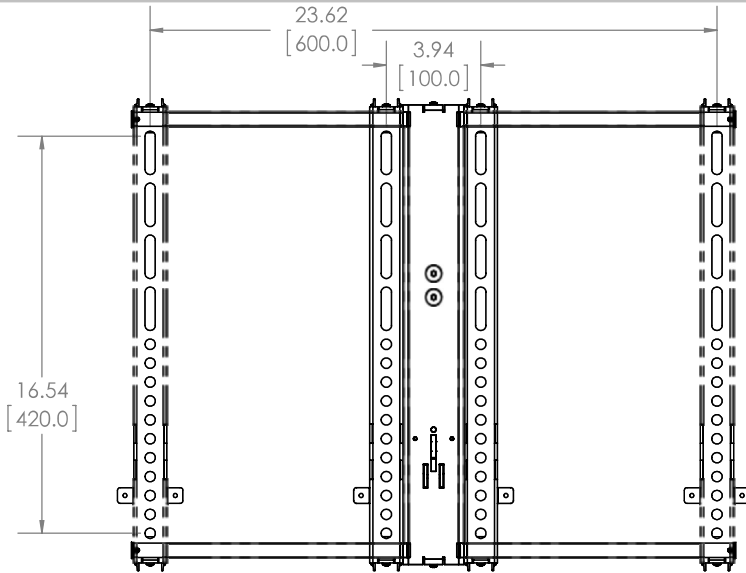
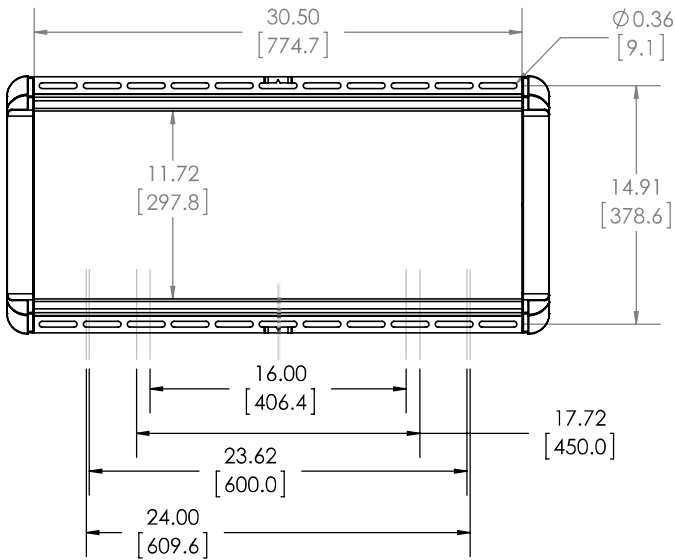


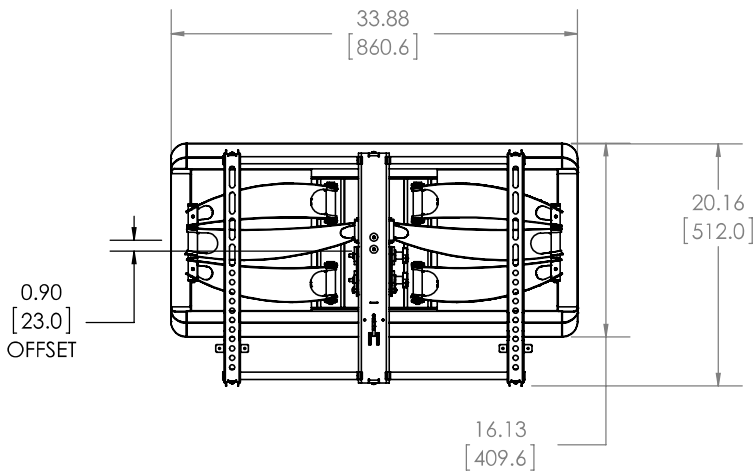
TV INTERFACE



WALL PLATE



FULLY ASSEMBLED MOUNT

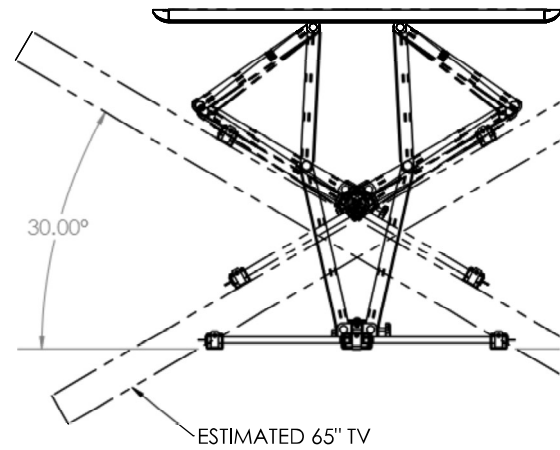


SANU

LARGE FULL MOTION MOUNT 6805-002233-XX

THE INFORMATION AND DESIGNS CONTAINED IN THIS DRAWING ARE THE CONFIDENTIAL AND THE PROPRIETARY PROPERTY OF MILESTONE AV TECHNOLOGIES NEITHER THIS DESIGN NOR ANY INFORMATION CONTAINED HEREIN MAY BE REPRODUCED OR DISCLOSED TO OTHERS WITHOUT THE EXPRESS WRITTEN CONSENT OF MILESTONE AV TECHNOLOGIES. 此图的信息和设计均系 Milestone 机密和知识产权，未经 Milestone 允许情况下均不得复制或传播。

TOP VIEW - EXTENDED



TOP VIEW - RETRACTED

